



System 3

Qualified fit of acetate

Stainless steel padarms & Silicone pads

frey&winkler
CREATIVE SILICONE PRECISION

F&W Frey & Winkler GmbH

Benzstraße 13
75203 Königsbach-Stein
Germany

Phone: +49 7232 / 30 54-989
E-Mail: optical@freywinkler.de
Web: www.freywinkler.de

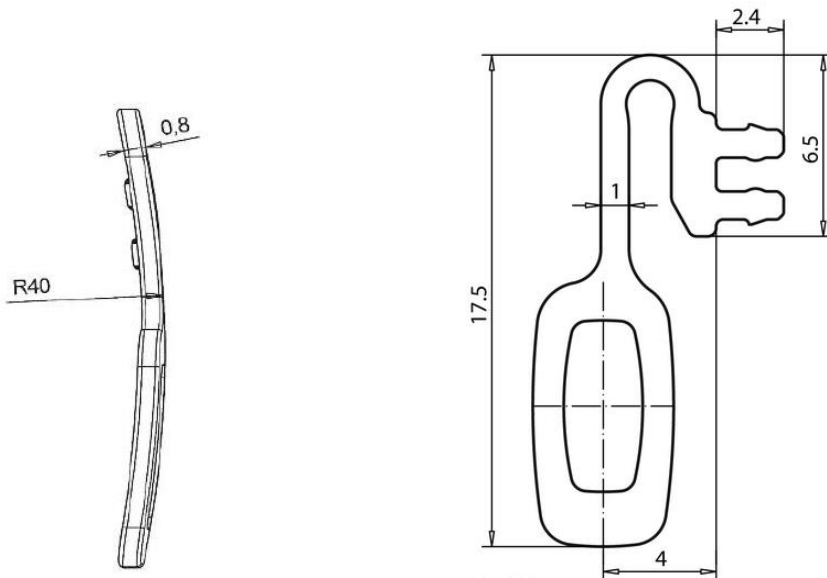
Fantastically looking acetate frames quite often lack wearing comfort. By creating a System 3 padarm for acetate frames, we enabled our customers to mount our wide range of System 3 pads with rectangular studs onto acetate frames. For the Asian market we designed a special pad arm, whose angles are adjusted to Asian noses.

Our System 3 family is not only simple, but also very stylish and it looks fantastically on every acetate frame.

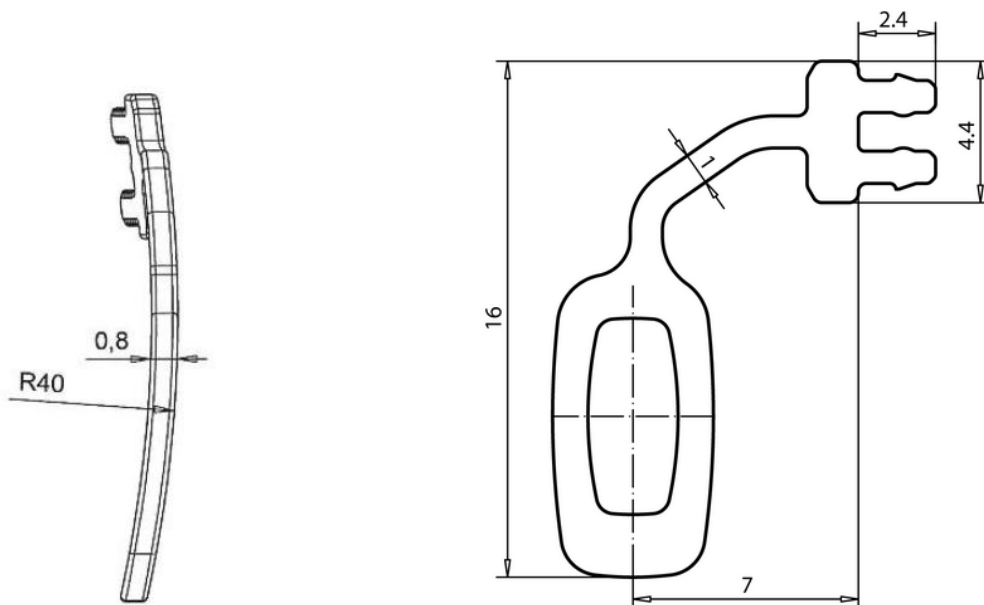
**100% Made in Germany in our own facilities
and with tested materials only**



3170 System 3 padarm for acetate frames (stainless steel)



3174 System 3 padarm for acetate frames-Asian version (stainless steel)



Silicone pads – in different shapes and sizes available

