

System 4

More than a step up from System 3

System 4 guarantees to raise the level of comfort to a whole new standard. Discover the new pad arms with their matching nose pads.

We preserved the strength of the popular System 3 – a single pad in silicon with no insert, which adds extra comfort. System 4 provides:

- a slimmer pad arm which greatly reduces metal-to-silicone ratio
- a petite loop in the pad arm allowing greater movement in every angle
- easy assembly
- soft silicone pad maximizing comfort

The result is an all-around flexibility and is luxuriously comfortable. System 4 suits both metal and acetate frames and is available in different pad shapes.

**100% Made in Germany in our own facilities
and with tested materials only**



F&W Frey&Winkler GmbH

Benzstraße 13
75203 Königsbach-Stein

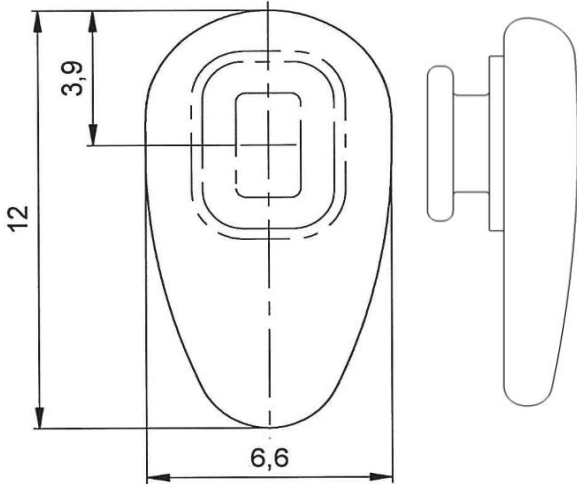
Phone: +49 7232 / 30 54-0
Fax: +49 7232 / 27 90
E-Mail: mail@freywinkler.de
Web: www.freywinkler.de

Version 2/2018

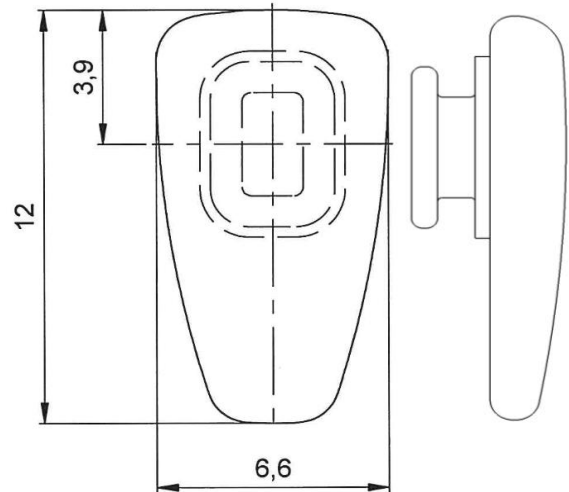
● ● ● | **Nose pad**

One piece pad entirely made of anti-allergic silicone, completely BPA free!
Soft silicone stud is slid into the opening of pad arm or opening of chemically etched frame.

Article 61193-1 **Size** 12.0 mm



Article 61192-1 **Size** 12.0 mm

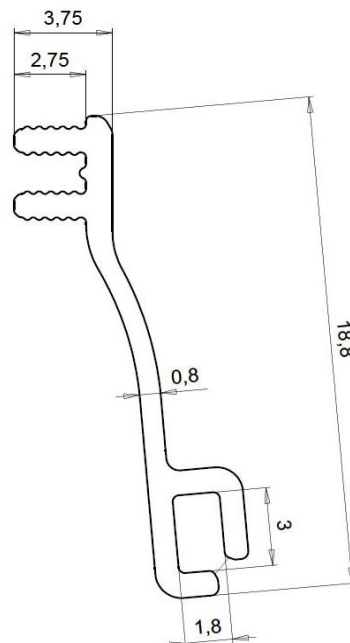


● ● ● | **Pad arm**

The pad arms are an one-piece construction, made of stainless steel. The box is less visible and has a small opening allowing for easy assembly of the nose pad.

Different bendings are available on request.

Article 3184-1



More shapes and sizes to come!