

Rectangular Titanium Pads

grade 1-material, anti-allergic and corrosion-free



F&W Frey&Winkler GmbH

Benzstraße 13
PO Box 2109
75203 Königsbach-Stein

Phone: +49 7232 / 30 54-0
Fax: +49 7232 / 27 90
E-Mail: mail@freywinkler.de
Web: www.freywinkler.de

Version 1/2015

Complementing our traditional range of titanium nose pads with round and oval shapes, we just launched a rectangular shape in size 14.5 mm. It is available in both click and screw-type with a decentralized stud.

Apart from a smooth-polished surface, you can choose between two surface structures "Track" and "Ray." They prevent slipping and enhance the trendy look.

Should you be interested in having your own logo / structure on the new nose pad, please contact us for an offer.

**100% Made in Germany in our own facilities
and with tested materials only**

● ● ● | **Rectangular titanium pad**

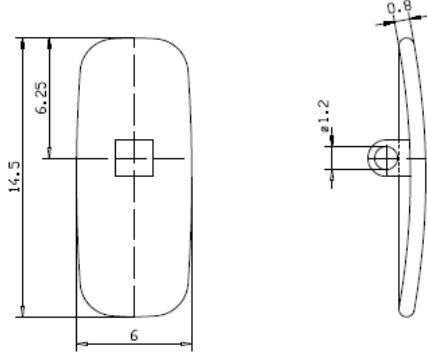


Body: Made of grade 1-material, anti-allergic and corrosion-free

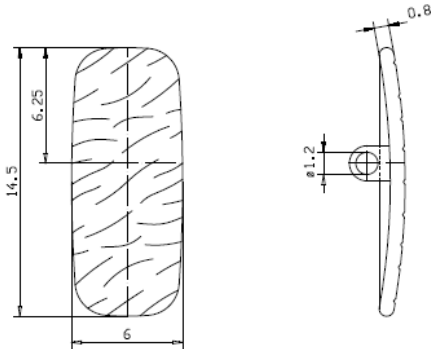
Screw-type

Article
61148

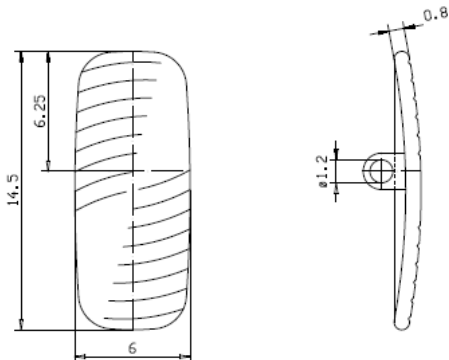
Size
14,5 mm



61148-2
Surface
structure
Track



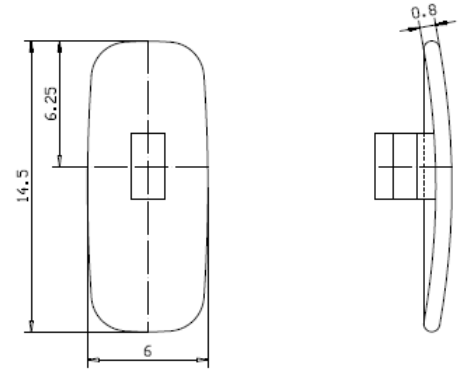
61148-3
Surface
structure
Ray



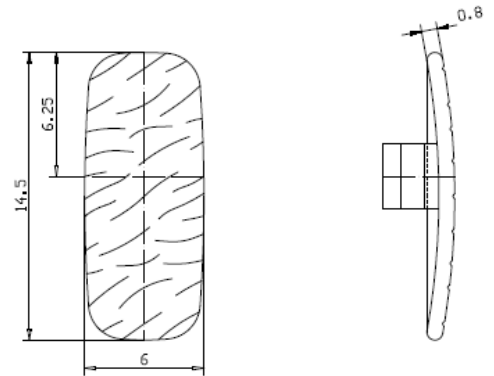
Click-type

Article
61149

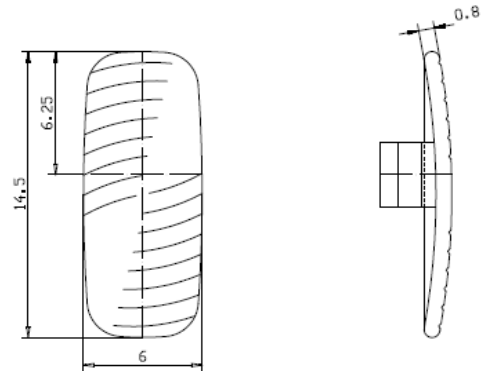
Size
14,5 mm



61149-2
Surface
structure
Track



61149-3
Surface
structure
Ray



All pads available as sandblasted versions and/or with personalized logo engraved. Sample is showing possibility with "F&W" logo

For details please visit our online catalogue at: www.freywinkler.de/online_catalogue

