



System 3[®]

Qualified fit of acetate

Stainless steel pad arms & Silicone pads

Fantastically looking acetate frames quite often lack wearing comfort. By creating a System 3[®] pad arm for acetate frames, we enabled our customers to mount our wide range of System 3[®] pads with rectangular studs onto acetate frames. For the Asian market we designed a special pad arm, whose angles are adjusted to Asian noses.

Our System 3[®] family is not only simple, but also very stylish and it looks fantastically on every acetate frame.

***100% made in Germany in our own facilities
and with tested materials only***

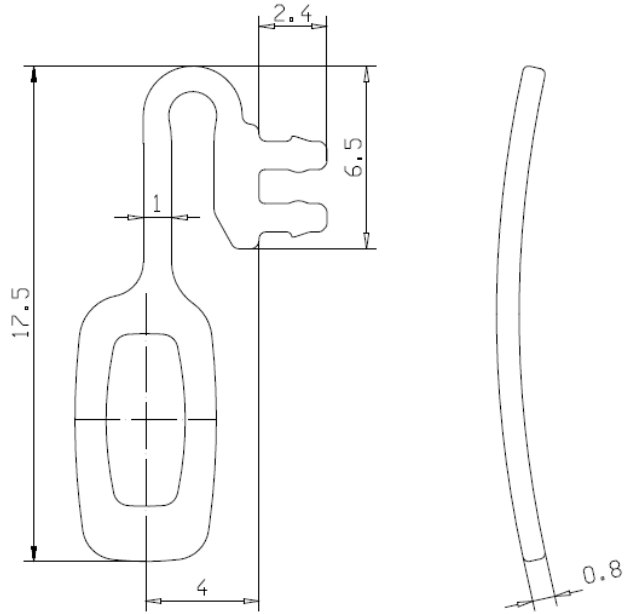


F&W Frey&Winkler GmbH

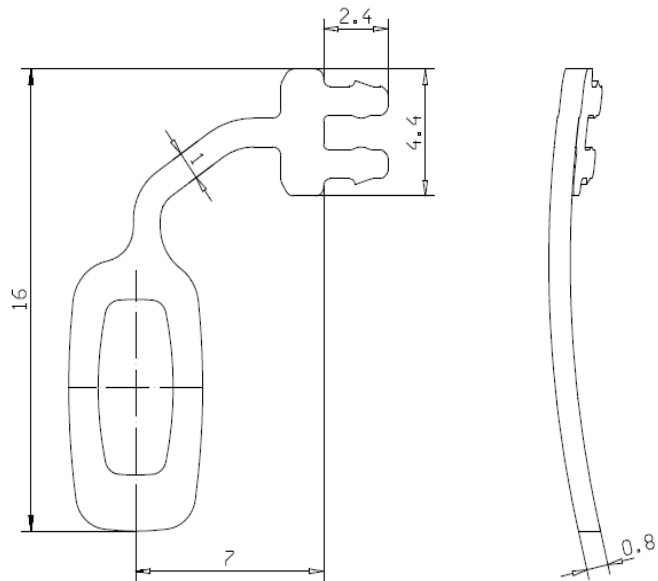
Benzstraße 13
PO Box 2109
75203 Königsbach-Stein

Phone: +49 7232 / 30 54-0
Fax: +49 7232 / 27 90
E-Mail: mail@freywinkler.de
Web: www.freywinkler.de

● ● ● | 3170 System 3® pad arm for acetate frames (stainless steel)



● ● ● | 3174 System 3® pad arm for acetate frames—
Asian version (stainless steel)



● ● ● | Silicone pads - in different shapes and sizes available

