

# World of PVC pads

## expanded by new modern pad shape



F&W Frey&Winkler GmbH

Benzstraße 13  
PO Box 2109  
75203 Königsbach-Stein

Phone: +49 7232 / 30 54-0  
Fax: +49 7232 / 27 90  
E-Mail: [mail@freywinkler.de](mailto:mail@freywinkler.de)  
Web: [www.freywinkler.de](http://www.freywinkler.de)

Version 2/2015

Ever since nose pads have been used for increasing optical frames' comfort. Still there have been many developments in the past 50 years. F&W contributed a lot of improvements by developing new fixing systems and always searching for the best material regarding transparency and colour; combined with the best skin-compatibility.

Using a non-allergenic phthalate-free PVC material and producing monthly more than 10 million nose pads, we still continue to improve our portfolio and to keep up with the design changes in fashion.

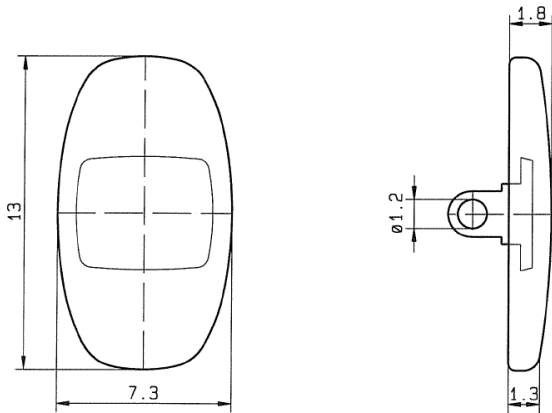
The new rectangular pad shape with rectangular insert offers a trendy pad with outstanding modern shape. It is available in two different sizes, as screw-type. Besides using the neutral version, there is the possibility for customers to personalize the pad by a logo printing.

**100% Made in Germany in our own facilities  
and with tested materials only**

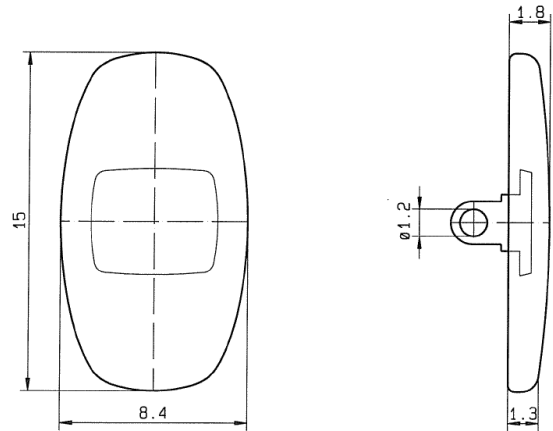


## Screw Type

Article 61094  
Size 13 mm

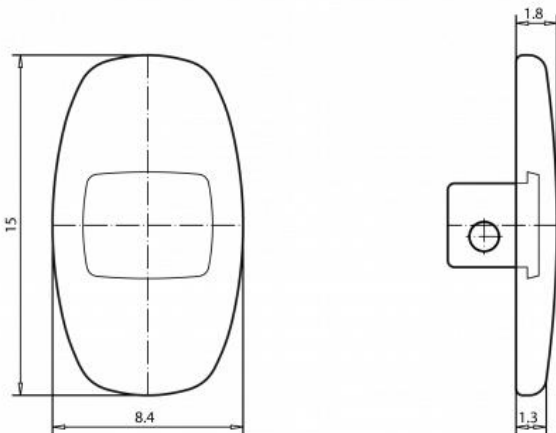


Article 61095  
Size 15 mm



## Click Type

Article 61136  
Size 15 mm



**Body:** Semi-soft, clear Esprit® material (modified PVC)

**Inlay:** Clear polycarbonate

**Logo/brand:** Different types of logo printings available on request

For details please visit our online catalogue at: [www.freywinkler.de/online\\_catalogue](http://www.freywinkler.de/online_catalogue)